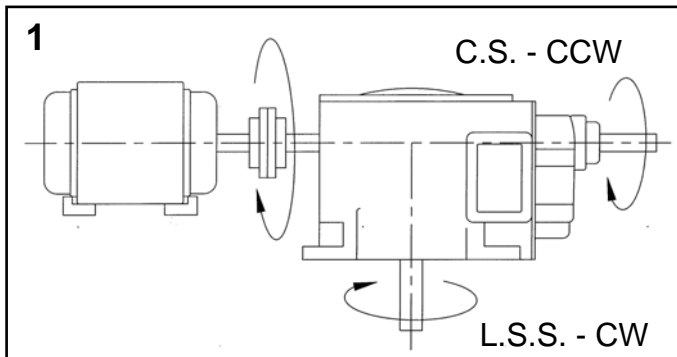


A.P. Clutch Rotation Selection Table

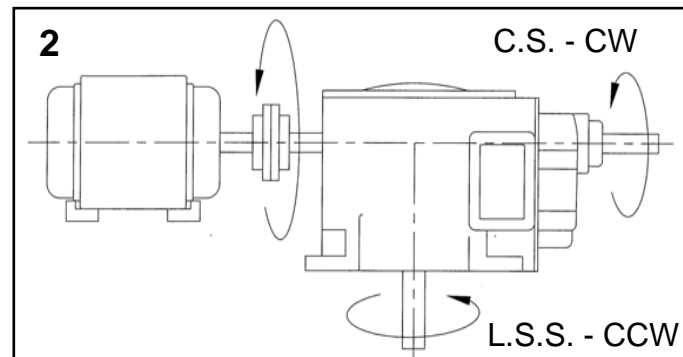
Showing Relationship between clutch rotation & low speed shaft rotation when clutch is driving.

Low speed shaft rotation viewed from top of unit.
Clutch rotation viewed from clutch drive shaft extension.
C.S. = Clutch shaft extension

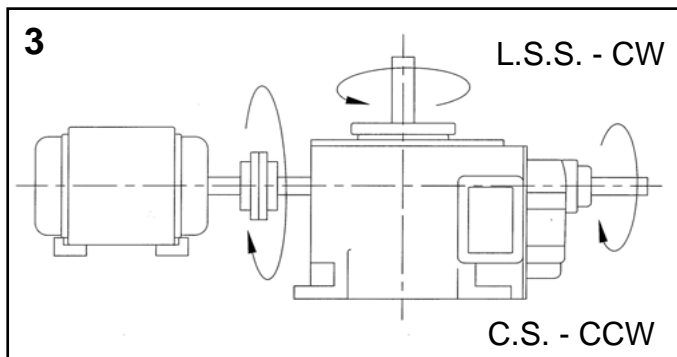
3 & 5 Air Preheater Reducer Triple Reduction



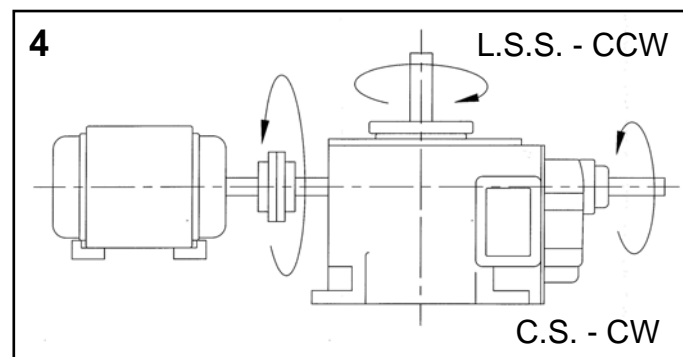
Down Shaft



Down Shaft



Up Shaft



Up Shaft